

SYDNEY

JEAN-MARIE MASSAUD (2016)



DESCRIPTION

Sydney is a sofa and coffee table collection with a highly original aesthetic, typical of the multi-cultural city which it is named. With Sydney Poliform explores brand new creative possibilities, made reality by the hand of Jean-Marie Massaud in a combination of pure geometry and great comfort.

Poliform

SYDNEY

JEAN-MARIE MASSAUD (2016)



TECHNICAL DESCRIPTION

TPOLOGY

sofa

STRUCTURE

wood and by-products

Padding

flexible multi-density polyurethane

Pre-cover

polyester fibre

Final stretched cover

removable in fabricdrawstring in 8 colours (leather and velvet excluded)

Foot

in metal, painted

Features

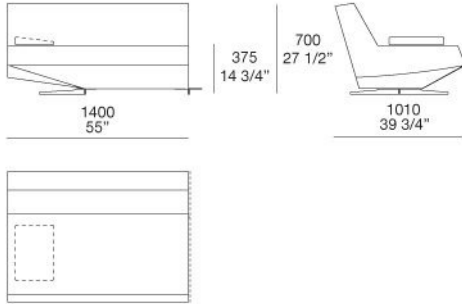
saddle stitch on fabric

Poliform

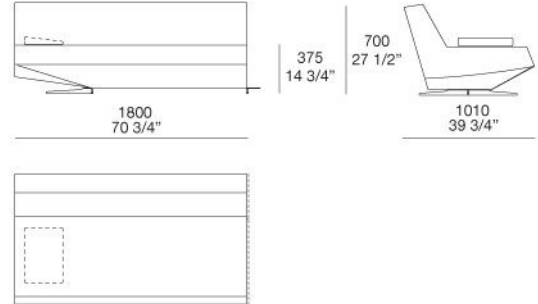
SYDNEY

JEAN-MARIE MASSAUD (2016)

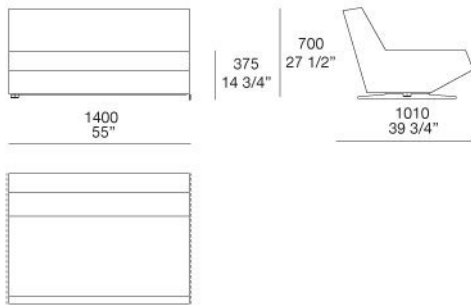
SYTS140
SYTD140



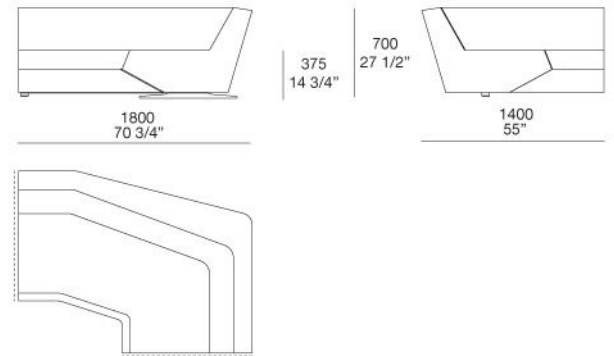
SYTS180
SYTD180



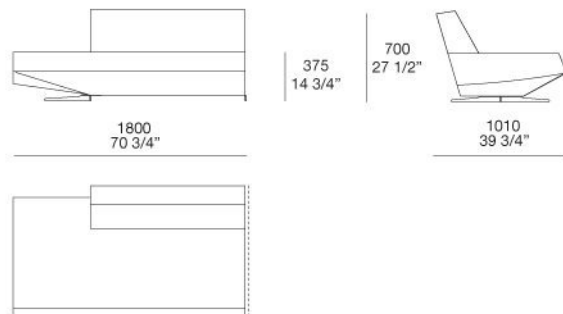
SYCE140



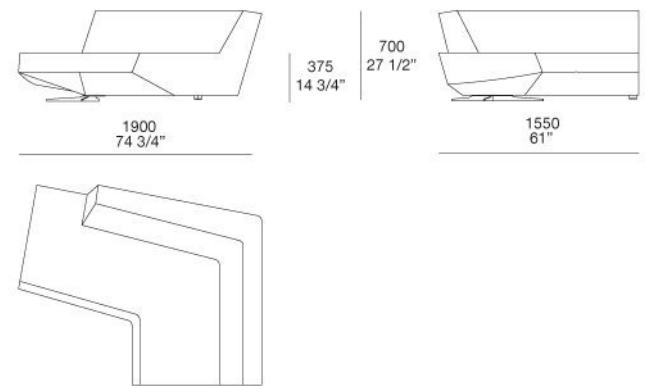
SYAS180
SYAD180



SYPX180
SYPZ180



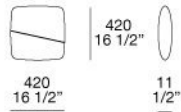
SYLS190
SYLD190



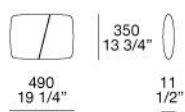
SYDNEY

JEAN-MARIE MASSAUD (2016)

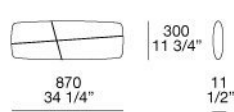
SYCU042



SYCU049



SYCU087

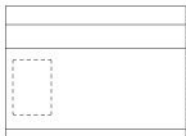


SYBS028

SYBD028



SX



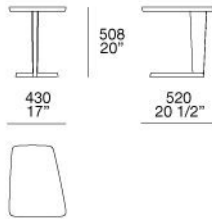
DX



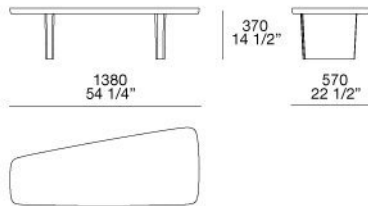
SYDNEY

JEAN-MARIE MASSAUD (2016)

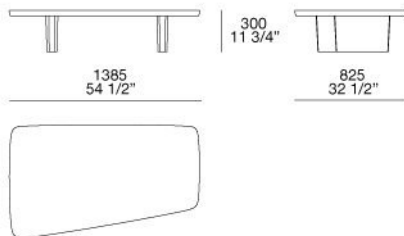
TSD043



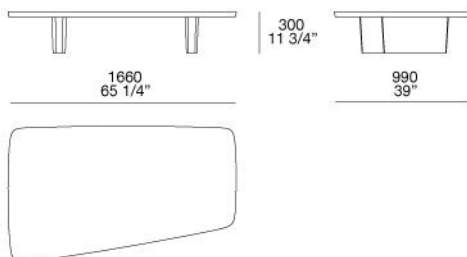
TSD137



TSD138

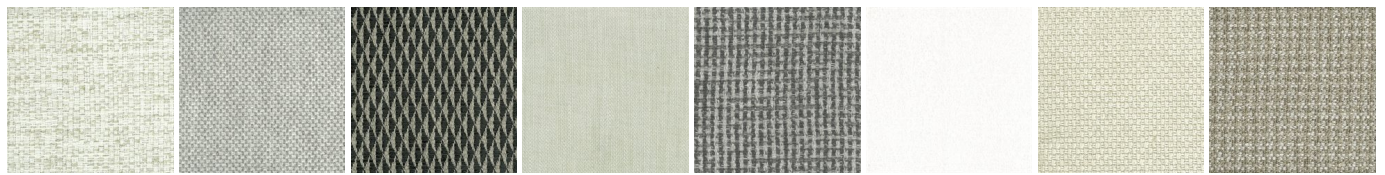


TSD166



SYDNEY

FINISHINGS\SOFA COVERING\FABRIC (35)



CHIOS

ARGO

CORINTO

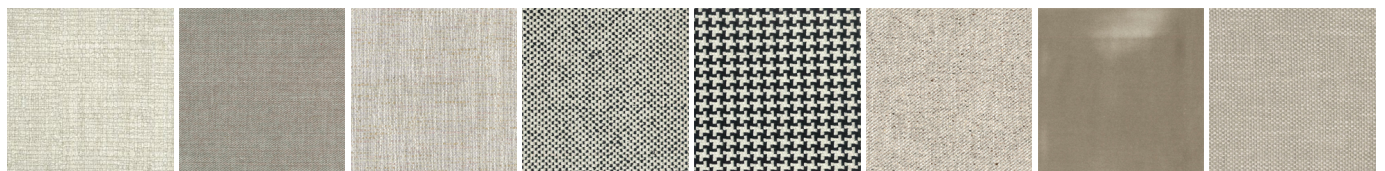
ITACA

MILOS

OLIMPIA

PAROS

ZANTE



SPARTA

SALFORD

ORLEANS

DERBY

LIMOGES

OXFORD

PERSIA

RABAT



MERIDA

HANNOVER

CORDOBA

CALEDONIA

NORWAY

ASPEN

ATLANTA

BERLINO



KYOTO

LIMA

MELBOURNE

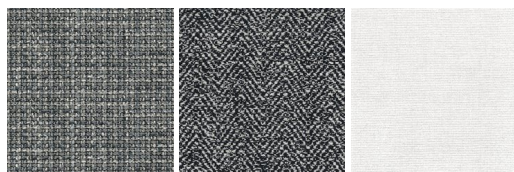
PORTO

REIMS

SAVANA

SIVIGLIA

INDRA - NEW



LIPSI - NEW

SKYROS -
NEW

NAXOS - NEW

SYDNEY

FINISHINGS\FEET\GLOSSY PAINTEDBROWN NICKEL (1)



GLOSSY
PAINTEDBRO
WN NICKEL